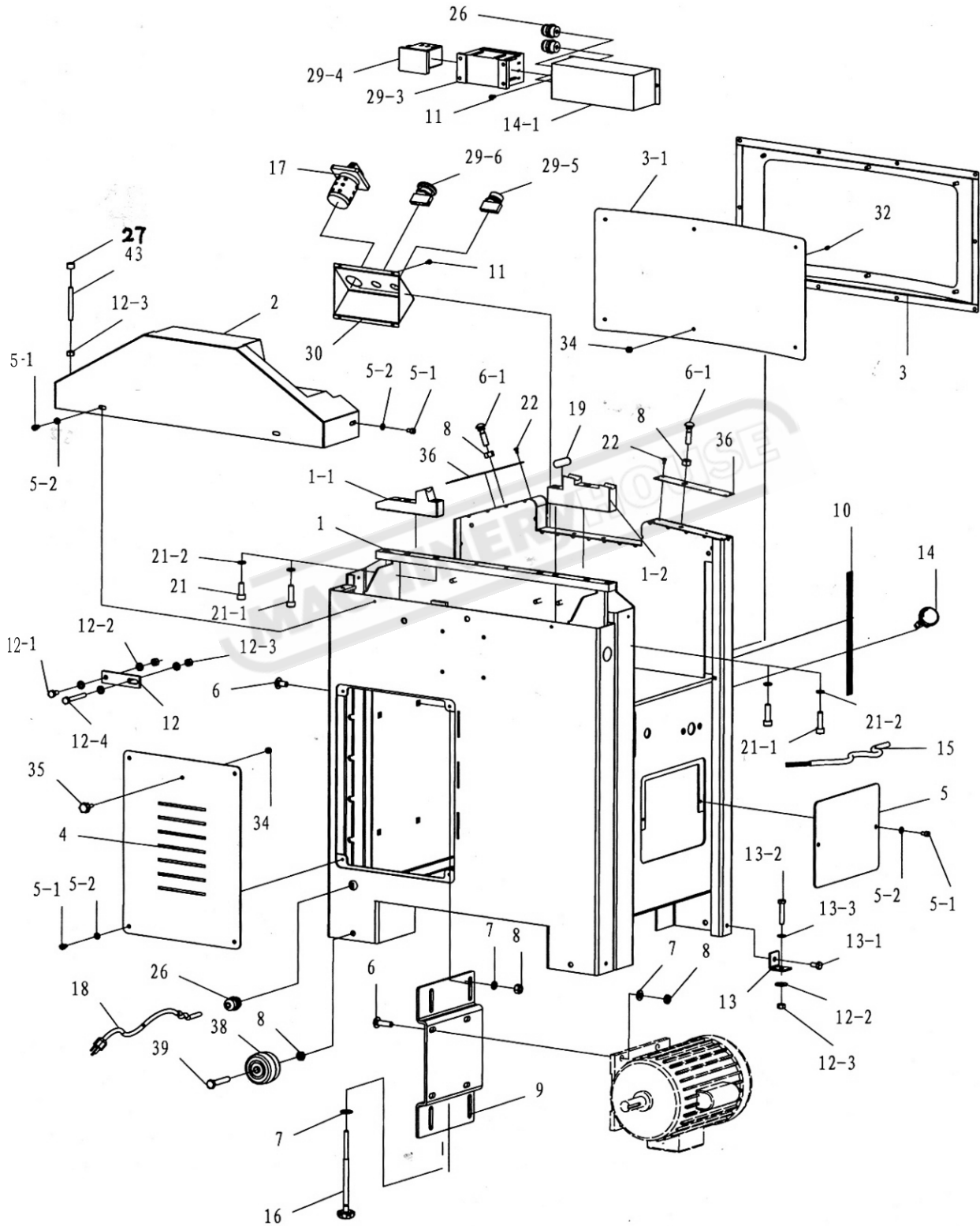


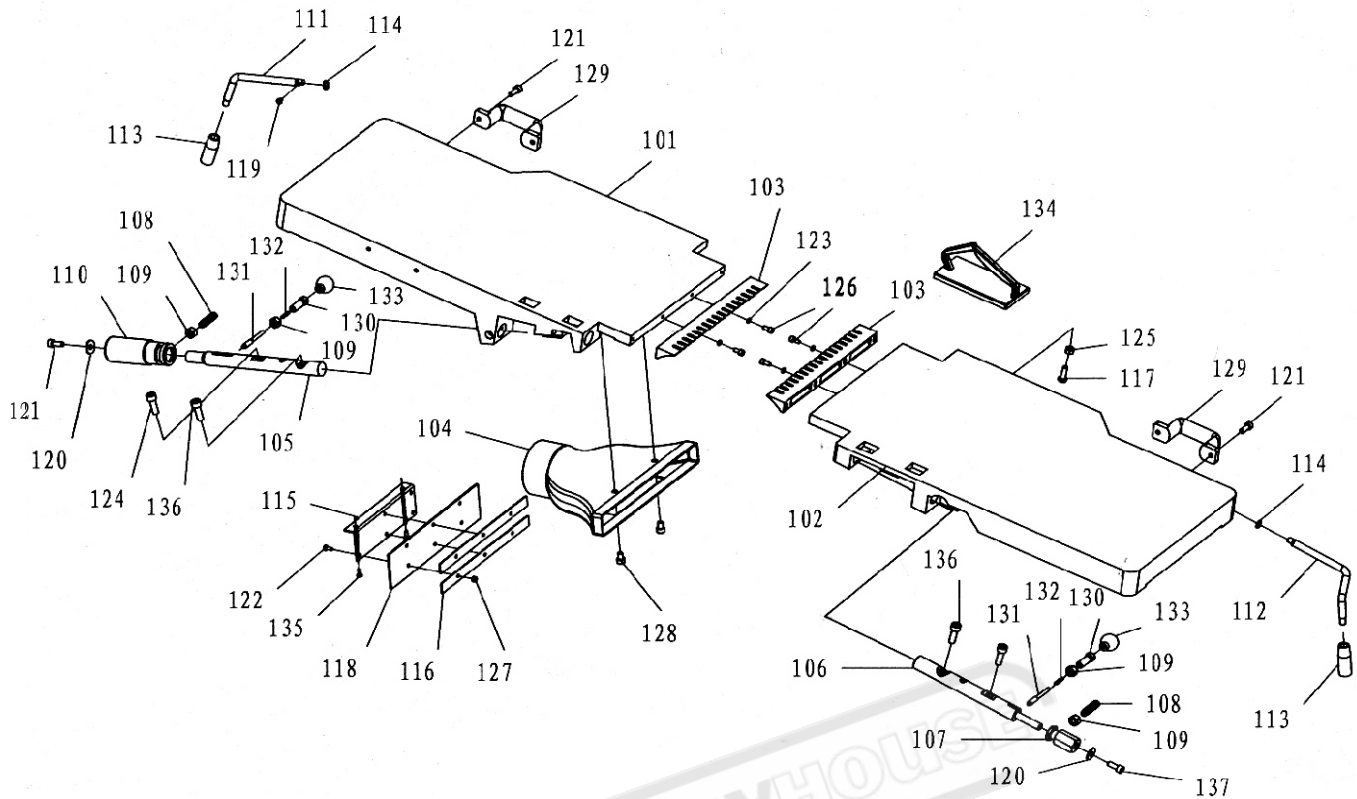
Stand Assembly Parts Breakdown



STAND PARTS LIST

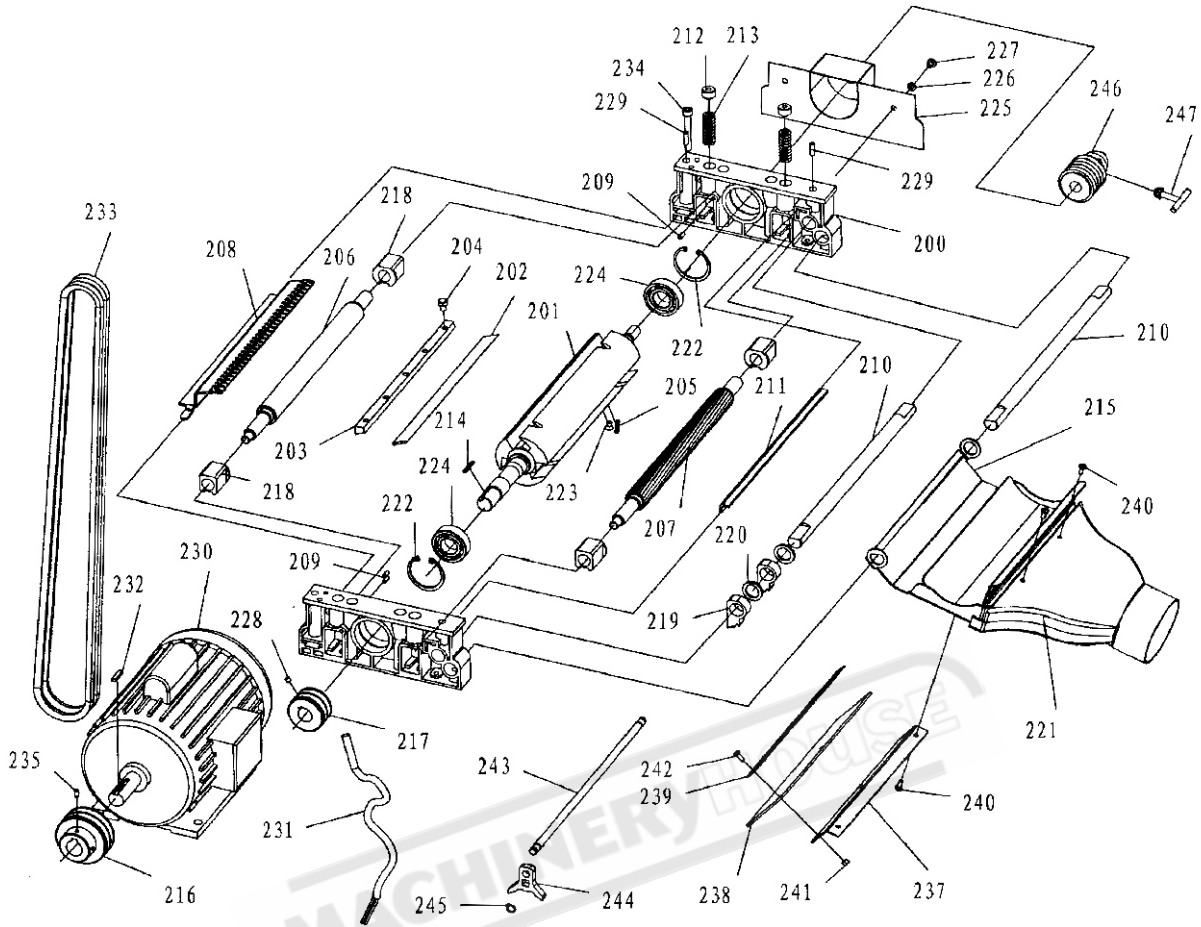
REF	DESCRIPTION	REF	DESCRIPTION
1	FRAME	13-3	FLAT WASHER 8
1-1	HINGE SHAFT BRACKET (RIGHT)	14	EMERGENCY OFF SWITCH
1-2	HINGE SHAFT BRACKET (LEFT)	14-1	PROTECT COVER
2	DRIVE SHAFT COVER	15	EMERGENCY STOP SWITCHCORD
3	COVER FRAME	16	KNOB BOLTM8
3-1	COVER	17	SWITCH
4	DOOR	18	POWER CORD
5	SIDE OPENING COVER	19	DEPTH SCALE
5-1	HEX BOLT M6*10	21	CAP SCREW M10*25
5-2	FLAT WASHER 6	21-1	CAP SCREW M10*35
6	CARRIAGE BOLT M10*25	21-2	LOCK WASHER 10
6-1	SPECIAL SCREW M10*40	22	PHLP HD SCREW M4*10
7	FLAT WASHER M10	26	STRAIN RELIEF
8	HEX NUT M10	27	PLASTIC NUT
9	MOTER BRACKET	29-3	CONTACTOR
10	PLANER SCALE	29-4	THERMAL RELAY
11	PHLP HD SCREW M5*10	29-5	ON BUTTON
12	REINFORCEMENT PLATE	29-6	OFF BUTTON
12-1	HEX BOLT M8*16	30	SWITCH BOX
12-2	FLAT WASHER 8	32	PHLP HD SCREW M6*16
12-3	HEX NUT 8	34	HEX NUT M6
12-4	HEX BOLT M8*60	35	KNOB M6*17
13	SQUARE SUPPORT	36	PROTECTION PLATE
13-1	HEX NUT M8*12	43	SPECIAL SCREW
13-2	TAP SCREW M8*40		

Table Assembly Parts Breakdown And List



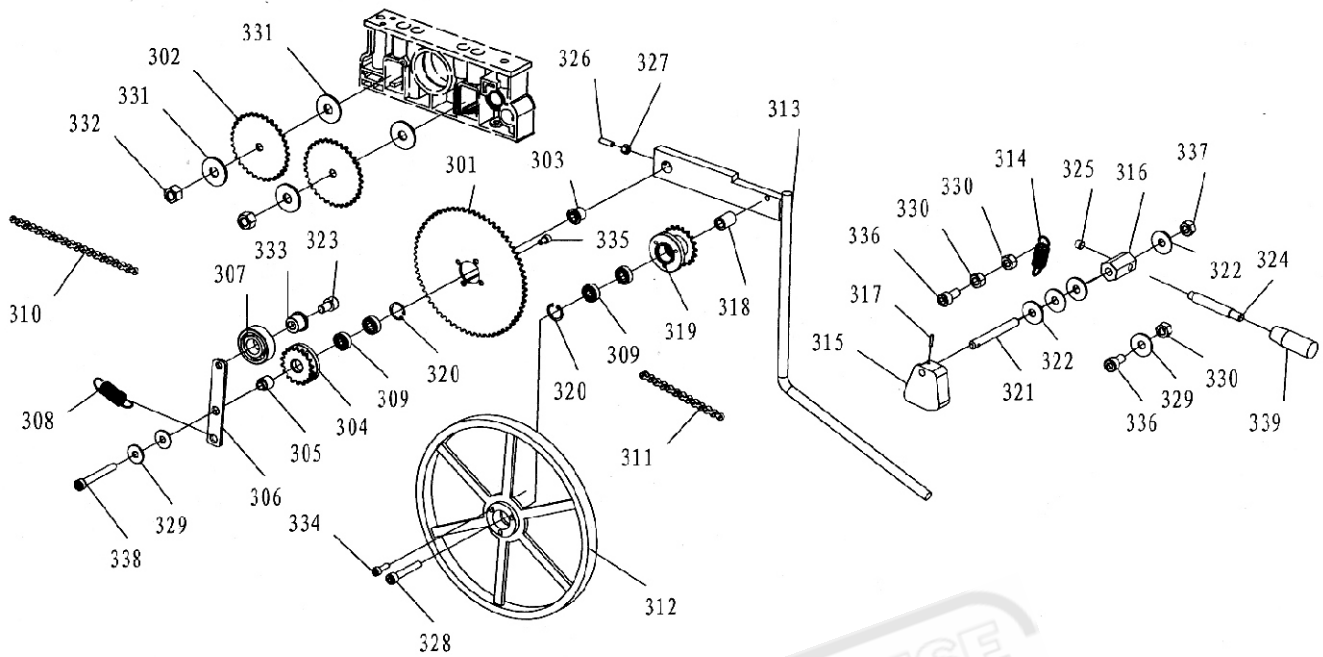
REF	DESCRIPTION	REF	DESCRIPTION
101	INFEED TABLE	120	WASHER 8
102	OUTFEED TABLE	121	CAP SCREW M8*20
103	TABLE LIP	122	PHLP HD SCREW M5*12
104	JOINTER DUST PORT	123	LOCK WASHER 6
105	HINGE SHAFT A	124	CAP SCREW M10*25
106	HINGE SHAFT B	125	HEX NUT M8
107	OUTFEED TABLE ADJ KNOB	126	CAP SCREW M6*16
108	GUIDE SCREW	127	HEX NUT M5
109	HEX NUT M12	128	CAP SCREW M8*12
110	INFEED HANDGRIP	129	HANDLE
111	INFEED LOCK LEVER	130	SPECIAL SCREW M12
112	OUTFEED LOCK LEVER	131	PLUNGER
113	PLASTIC KNOB M10	132	SPRING
114	RETAINING RING 12MM	133	KNOB M6
115	LBRACKET	134	PUSH BLOCK
116	PLATE	135	PHIP HD M5*10
117	HEX BOLT M8*25	136	CAP SCREW M10*30
118	PLATE	137	CAP SCREW M8*16
119	PHLP HD SCREW M5*6		

Cutterhead And Motor Breakdown



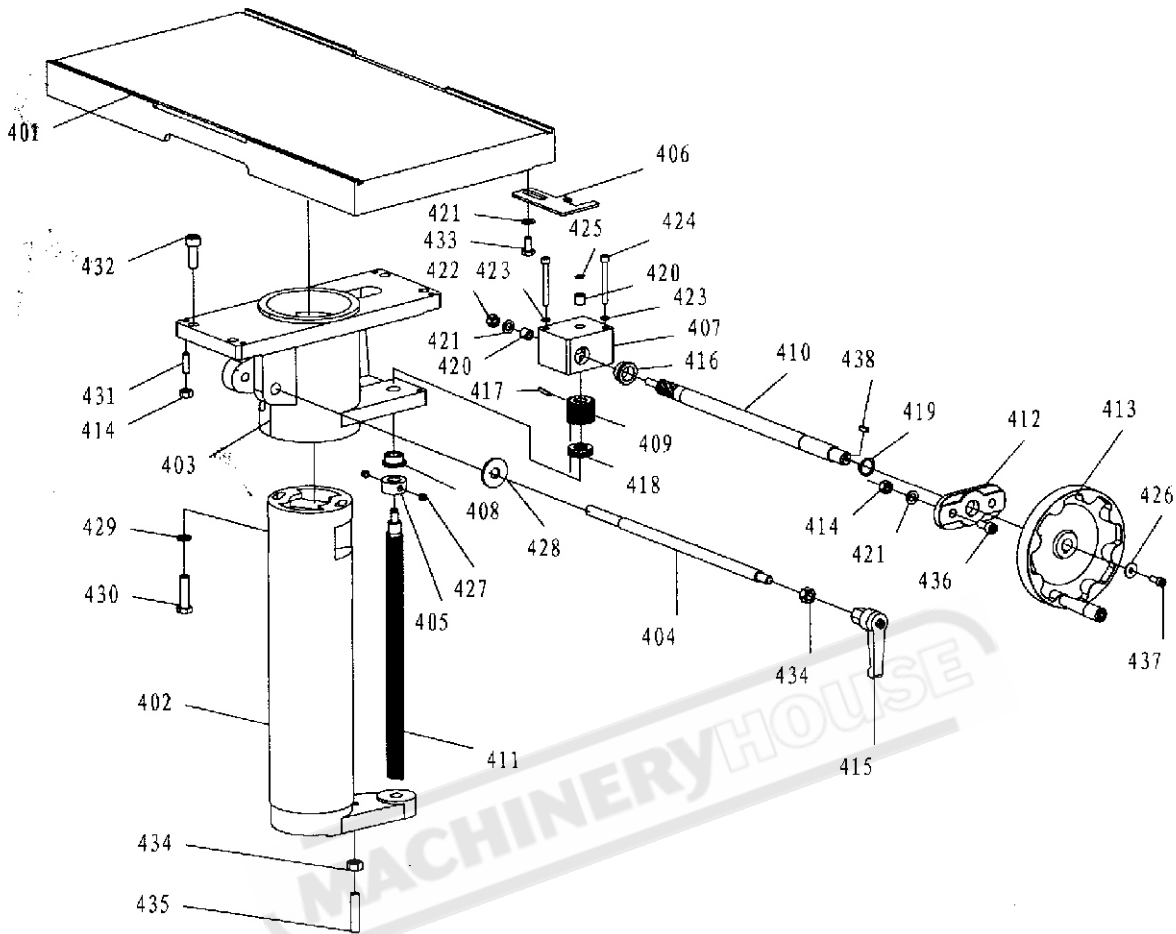
REF	DESCPTION	REF	DESCPTION	REF	DESCPTION
200	CUTTERHEAD BLOCK	216	MOTOR PULLEY	231	MOTOR CORD
201	CUTTERHEAD	217	PULLEY	232	PIVOT PIN 8*35
202	BLADE	218	SUPPORT	233	V-BELT Ø1300
203	GIB	219	ANTIKICKBACK FINGER	234	CAP SCREW M8*80
204	GIB BOLT M8*10	220	SPACER	235	SET SCREW M6*10
205	SPRING	221	DUST CHUTE	237	BRACKET
206	OUTFEED ROLLER	222	RETAINING RING 52mm	238	PLATE
207	INFEED ROLLER	223	FLAT HD ALLEN SCR M5*16	239	PLATE
208	COVER	224	BALL BEARING 6205	240	PHLP HD SCREW M5*12
209	ALIGNMENT PIN 5*16	225	GUARD	241	HEX NUT M5
210	PIVOT PIN	226	FLAT WASHER 6	242	PHLP HD SCREW M5*10
211	SQUARE SUPPORT	227	HEX BOLT M6*8	243	KNIFE GAUGE
212	DOWEL	228	SET SCREW M6*6	244	KNIFE GAUGE BAR
213	COMPRESSION SPRING	229	SET SCREW M6*20	245	RETAINING RING 10
214	KEY 6*20	230	MOTOR	246	BORER1-13MM
215	DUST CHUTE PLATE			247	BORER WRENCH

Drive Assembly Breakdown And List



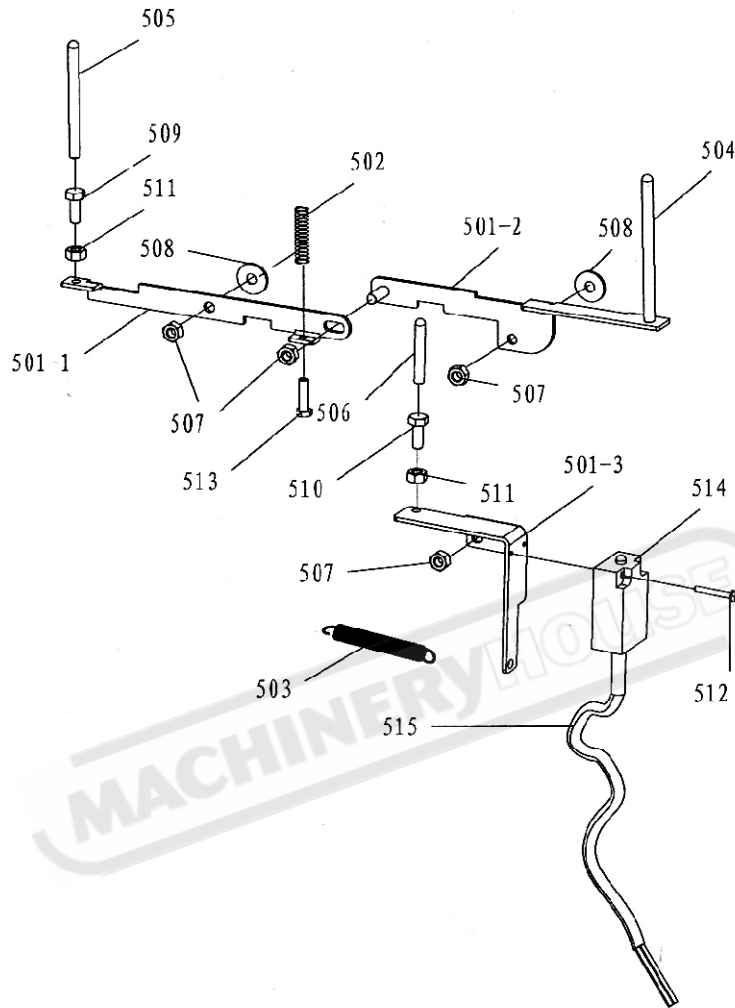
REF	DESCRIPTION	REF	DESCRIPTION
301	SPROCKRT 66T	320	RETAINING RING 22MM
302	SPROCKET 34T	321	STUD
303	BUSHING	322	FLAT WASHER10
304	SPROCKET 18T	323	CAP SCREW M10*12
305	SPACER	324	LEVER
306	ARM	325	SET SCREW M10*12
307	BALL BEARING 6204	326	SET SCREW M6*25
308	TENSION SPRING	327	HEX NUT M6
309	BALL BEARING 608	328	CAP SCREW M8*50
310	ROLLER CHAIN	329	FLAT WASHER 8
311	ROLLER CHAIN	330	HEX NUT M10
312	CONTRACT WHEEL	331	FLAT WASHER 12
313	LEVER	332	HEX NUT M12
314	TENSION SPRING	333	BUSHING
315	CAM	334	CAP SCREW M5*20
316	CAM SHAFT	335	CAP SCREW M6*10
317	ROLL PIN ϕ 3*16	336	CAP SCREW M8*20
318	SPACER	337	LOCK NUT M10
319	SPROCKET 19T	338	CAP SCREW M8*65
		339	M10 PLASTIC KNOB

Planer Table Breakdown And List



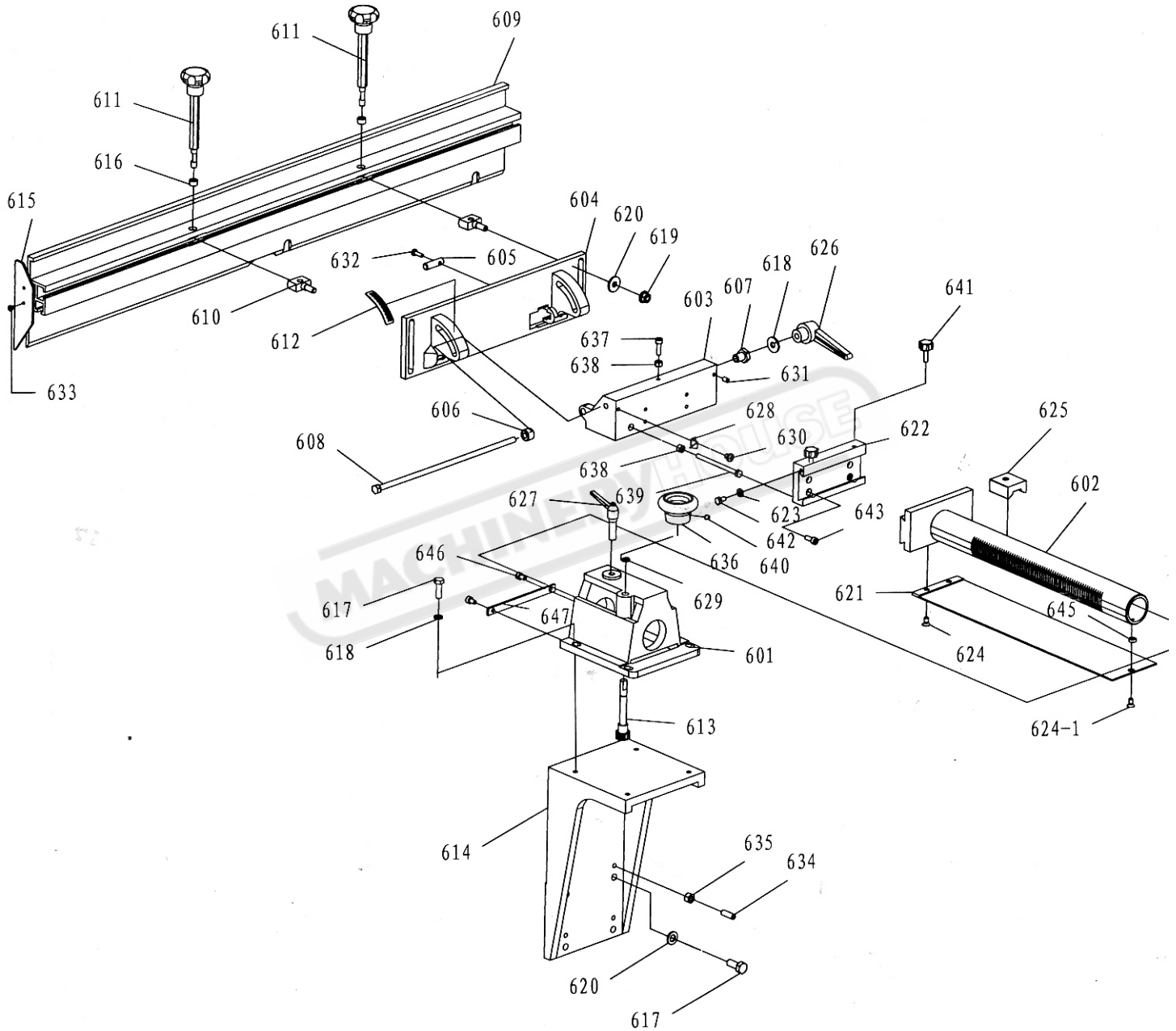
REF	DESCRIPTION	REF	DESCRIPTION	REF	DESCRIPTION
401	PLANER TABLE	414	HEX NUT M8	427	SET SCREW M8*6
402	COLUMN	415	UNIVERSAL LOCK LEVER	428	FLAT WASHER 12
403	CYLINDER LINER	416	BUSHING	429	LOCK WASHER 10
404	LOCK SCREW	417	ROLL PIN 4*25	430	HEX BOLT M10*35
405	COLLAR	418	THRUST BEARING 51102	431	SET SCREW M8*35
406	THICKNESS POINTER	419	RETAING RING 19MM	432	CAP SCREW M10*30
407	GEAR BOX	420	BUSHING	433	HEX BOLT M8*12
408	BUSHING	421	FLAT WASHER 8	434	HEX NUT M10
409	GEAR	422	LOCK NUT M8	435	SET SCREW M10*50
410	WORM SHAFT	423	LOCK WASHER 6	436	PHLP HD SCREW M8*20
411	ELEVATION LEAD SCREW	424	CAP SCREW M6*55	437	CAP SCREW M6*16
412	SHIELD PLATE	425	RETAINING RING 8	438	KEY 5*20
413	HANDWHEEL	426	BIG WASHER 6		

Limit Switch Breakdown And List



REF	DESCRIPTION	REF	DESCRIPTION
501-1	SWING LEVER (F)	508	FLAT WASHER 8
501-2	SWING LEVER (M)	509	HEX BOLT M8*25
501-3	LIMIT SWITCH BRACKET	510	HEX BOLT M8*16
502	COMPRESSION SPRING	511	HEX NUT M8
503	EXTENSION SPRING	512	CAP SCREW M4*30
504	SWITCH ACTIVATION ROD	513	CAP SCREW M6*20
505	SWITCH ACTIVATION ROD	514	LIMIT SWITCH
506	SWITCH ACTIVATION ROD	515	LIMIT SWITCH CONTRAL CORD
507	LOCK NUT M8		

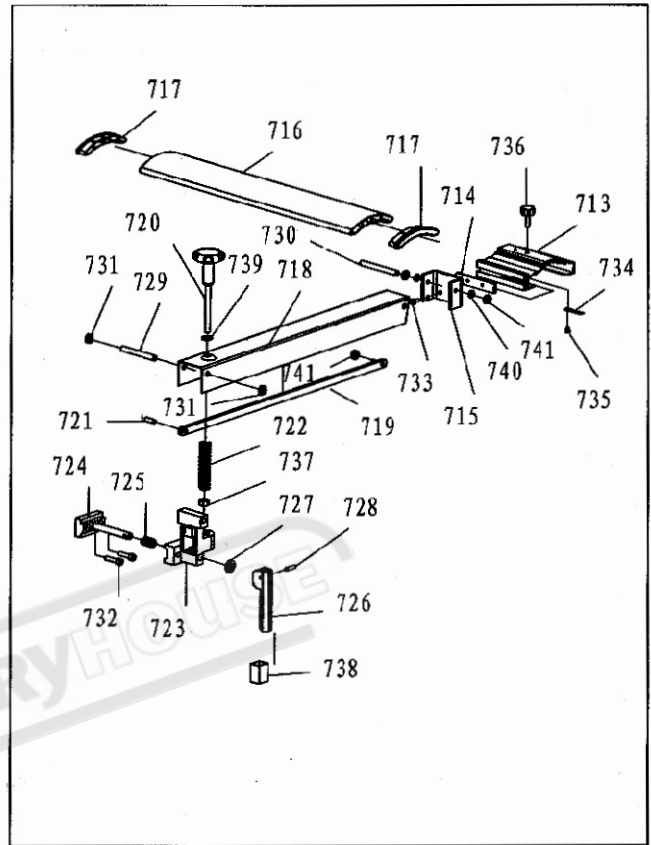
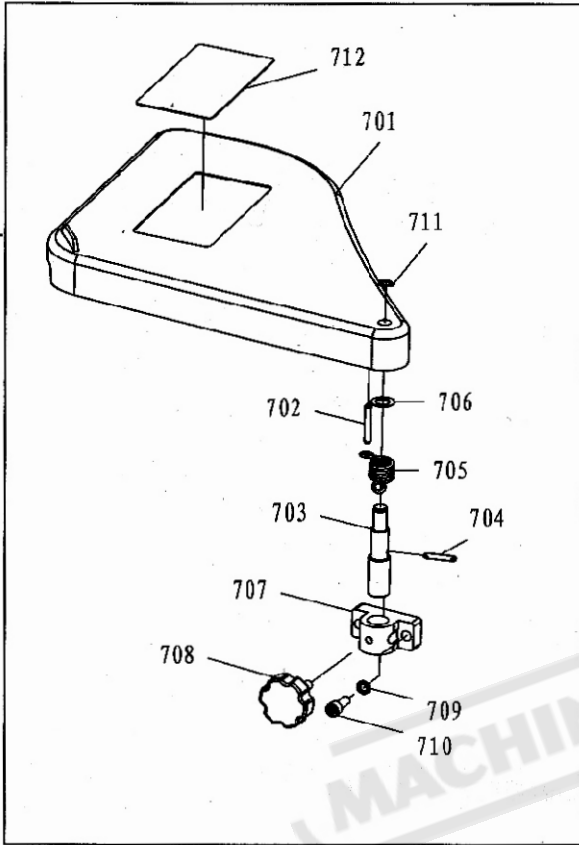
Fence Breakdown and List



FENCE BREAKDOWN AND LIST

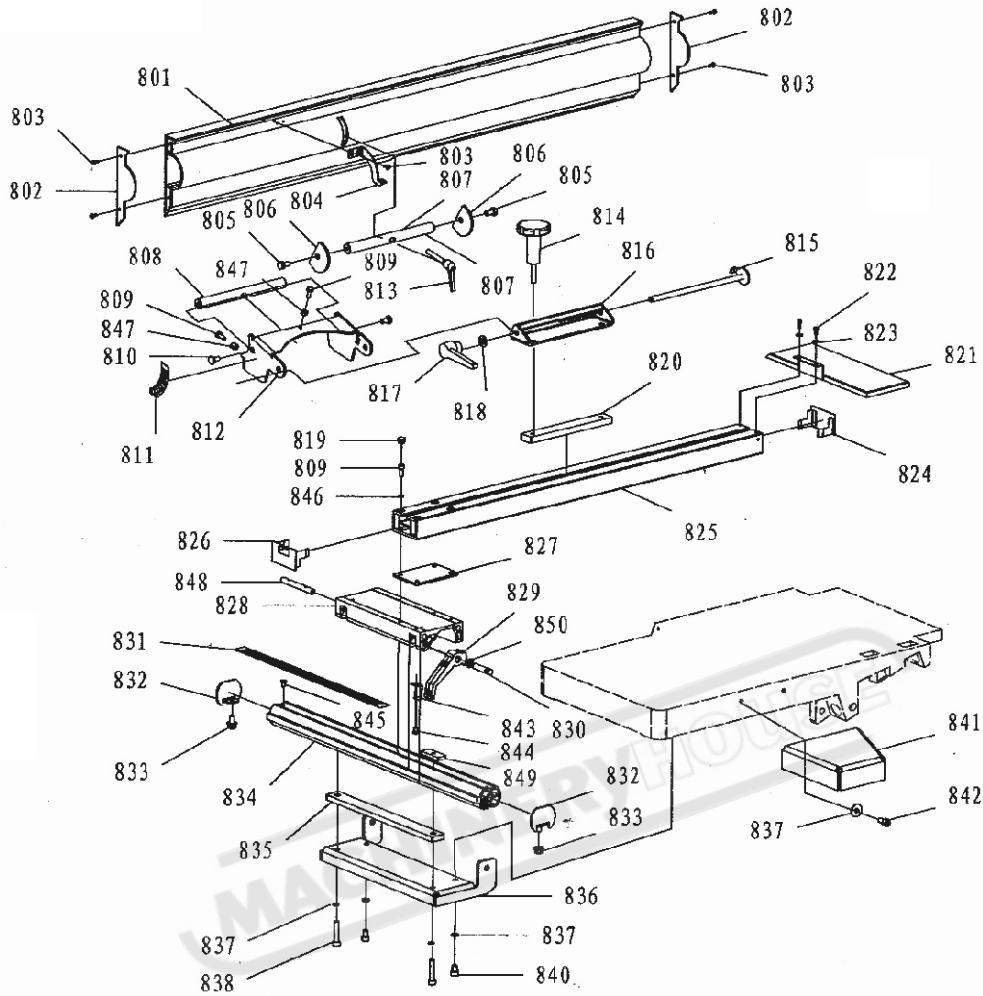
REF	DESCRIPTION	REF	DESCRIPTION
601	FENCE BASE	624	PHIP HD SCREW M6*10
602	ADJUSTMENT TUBE W/RACK	625	TUBE LOCKING SHOE
603	TRUNNION BRACKET	626	UNIVERSAL LOCK LEVER M8*63
604	TRUNNION	627	UNIVERSAL LOCK LEVERM10*80*50
605	PIVOT STUD	628	POINTER
606	SPACER	629	RETURNING RING 10
607	ADJUSTMENT SCREW	630	PHIP HD SCREW M5*6
608	ADJUSTMENT ROD	632	PHLP HD SCREW M5*16
609	FENCE	633	PHLP HD SCREW ST3.9*10
610	SLIDING BOLT	634	SET SCREW M8*25
611	ECCENTRIC SHAFT	635	NUT M8
612	FENCE ANGLE SCALE	636	HANDLE
613	PINION SHAFT	637	HEX BOLT M6*20
614	FENCE SUPPORT	638	NUT M6
615	SIDE PLATE	639	HEX NUT M6*90
616	BUSHING	640	SET SCREW M6*6
617	HEX BOLT M8*30	641	KNOB SCREW M6*25
618	WASHER 8	642	HEX BOLT M6*12
619	LOCK NUT M8	643	CAP SCREW M6*25
620	BIG WASHER 8	645	WASHER 4
621	GUTTER KNIFE GUARD	646	PHLP HD SCREW M5*10
622	DOVETAIL BRACKET	647	FENCE BASE PLATE
623	WASHER 6	624-1	PHLP HD SCREW M6*212

CUTTERHEAD GUARD ASSEMBLY AND LIST



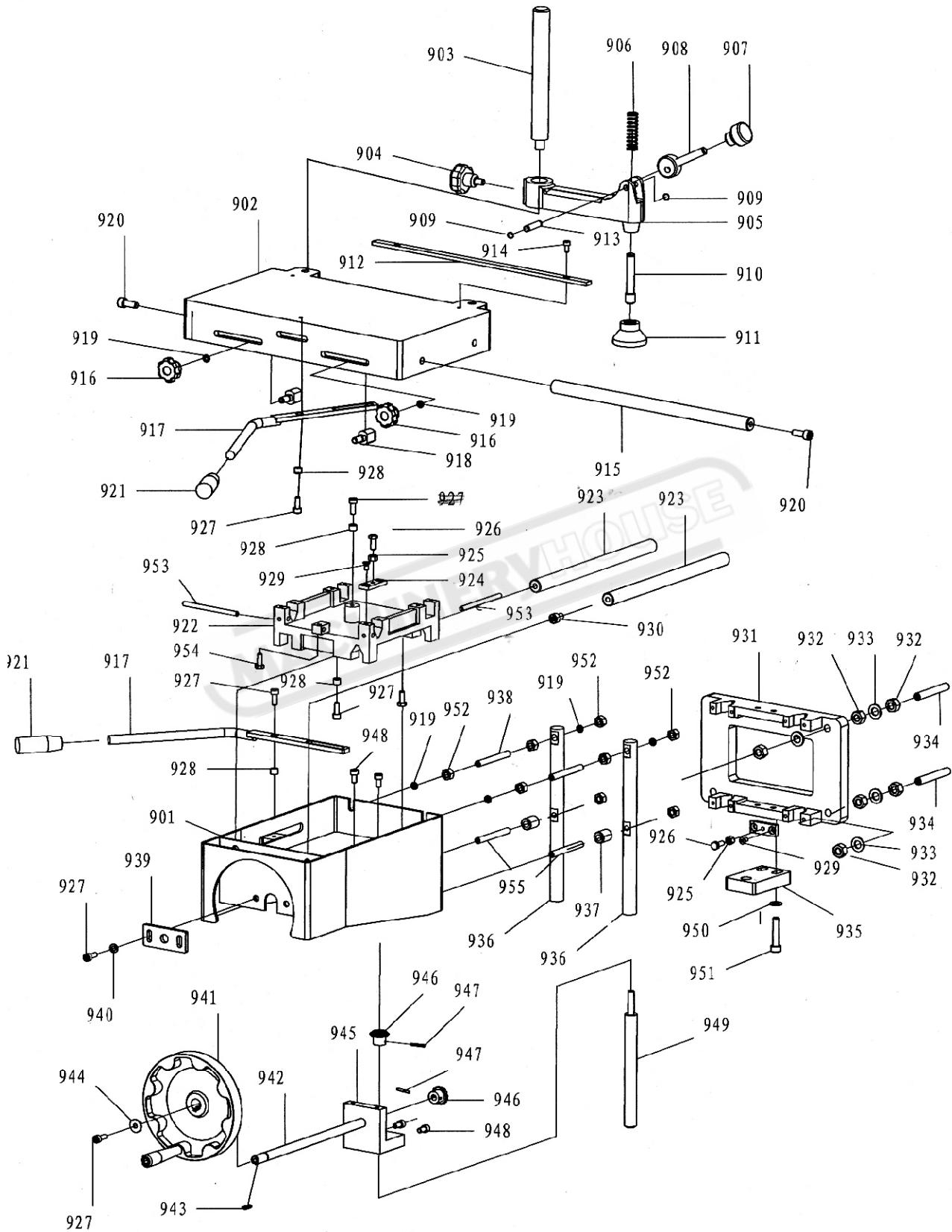
REF	DESCRIPTION	REF	DESCRIPTION	REF	DESCRIPTION
701	CUTTERHEAD GUARD	715	BLADE GUARD PLATE	729	STUD I
702	ROLL PIN 6*40	716	BLADE GUARD	730	STUD II
703	STUD	717	BLADE GUARD LID	731	LOCK NUT M8
704	ROLL PIN 5*30	718	SQUARE TUBE	732	CAP SCREW M6*20
705	TORSION SPRING	719	LINK	733	PHLP HD SCREW M5*10
706	LOAD WASHER 18	720	ADJUSTMENT KNOB	734	PROTECT PLATE
707	GUARD BRACKET	721	SET SCREW M6*20	735	PHLP HD SCREW M4*6
708	KNOB SCREW M8*20	722	SPRING	736	KNOB M6*17
709	LOCK WASHER 8	723	ADJUSTMENT BASE	737	NUT M8
710	CAP SCREW M8*25	724	UNMOVE BASE	738	RUBBER HANDLE
711	EXT RETAINING RING 12	725	LOCK SPING	739	WASHER 8
712	WARNING LABEL	726	LOCK HANDLE	740	WASHER 6
713	BLADE GUARD BASE	727	WASHER	741	LOCK NUT M6
714	SLIDING PLATE	728	SPRING PIN C 5*20		

FENCE ASSEMBLY AND LIST



REF	DESCRIPTION	REF	DESCRIPTION	REF	DESCRIPTION
801	FENCE	818	WASHER 10	835	PAD
802	SIDE PLATE	819	PLASTIC INSERT	836	SUPPORT PLATE
803	PHLP HD SCREW 5*16	820	SLIDING BAR	837	WASHER 8
804	SCALE POINTER	821	PROTECT PLATE	838	CAP SCREW M8*25
805	CAP SCREW M8*20	822	CAP SCREW M4*8	840	CAP SCREW M8*16
806	SUPPORT PLATE	823	WASHER 4	841	SIDE SUPPORT PLATE
807	SUPPORT ROD	824	BLOCK	842	CAP SCREW M8*20
808	LOCK ROD	825	CROSS BEAM	843	SPRING PLATE
809	CAP SCREW M6*16	826	BLOCK	844	PHLP HD SCREW M4*8
810	SPECIAL BOLT	827	SLIDING BAR	845	CAP SCREW M5*12
811	ANGLE SCALR	828	CARRIAGE	846	LOCK WASHER 6
812	TURNNING BASE	829	LOCK HANDLE	847	NUT M6
813	ADJUSTING BOLT M10*65	830	ROLL PIN	848	LOCK PIN
814	LOCK HANDLE M8*20	831	LENGTH SCALE	849	RAIL INSERT
815	LOCK BAR	832	BLOCK	850	SPRING WASHER
816	LOCK BASE	833	HEX BOLT M8*12		
817	ADJUSTING BOLT M10*95	834	RAIL		

MOTISER ASSEMBLY DIAGRAM AND PART LIST



MOTISER ASSEMBLY DIAGRAM AND PART LIST

REF	DESCRIPTION	REF	DESCRIPTION
901	BASE	929	FLAT HD SCREW M5*12
902	TABLE	930	CAP SCREW M8*16
903	SUPPORT SHAFT	931	PLANTE
904	LOCK KNOB	932	NUT M10
905	PRESS WOOD BASE	933	WASHER 10
906	SPRING	934	SCREW M10*70
907	KNOB	935	RAISING PLANTE
908	LOCK BAR	936	VERTICAL RAIL BAR
909	C-RING 8	937	RING
910	SPRING SHAFT	938	SCREW M8*60
911	SPRING BASE	939	BLOCK
912	KEY	940	WASHER 6
913	SHAFT	941	HAND WHEEL
914	CAP SCREW M5*12	942	SHAFT
915	SHAFT 1	943	KEY 4*15
916	LOCK KNOB M8	944	WASHER 6
917	SHAFT	945	GEAR SUPPORT
918	WIDTH ADJUSTING BAR	946	GEAR
919	WASHER 8	947	SPRING PIN 3*16
920	CAP SCREW M8*30	948	CAP SCREW M6*16
921	KNOB M12	949	RISE SHAFT
922	CARRIAGE	950	WASHER 8
923	SHAFT 2	951	CAP SCREW M8*30
924	RAIL GUIDE	952	NUT M8
925	NUT M6	953	PIN
926	HEX BOLT M6*12	954	SET SCREW M6*6
927	CPA SCREW M6*30	955	CAP SCREW M8*35
928	RING WASHER		